



## Standard Hotel collection

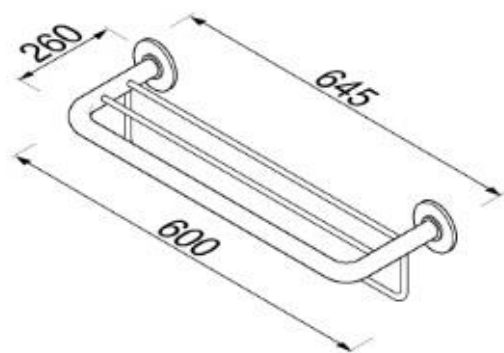
5352

Bath towel shelf with towel rail



### Bath towel shelf with towel rail

- Finish: chrome
- Concealed fixing
- Guarantee 12 years



- 645x260 mm

### Also available:

- 5353 Bath towel shelf



- 5355 Bath towel shelf, double



Quality has proven to be of decisive importance in recent years, which is why we can offer a 12-year warranty period for our chrome products. The entire selection is developed in Amersfoort. Geesa is certified according to the ISO 9001-2008 standard for design, productions and the delivery of bathroom accessories. Geesa reserve the right to change product specification.

October 2013