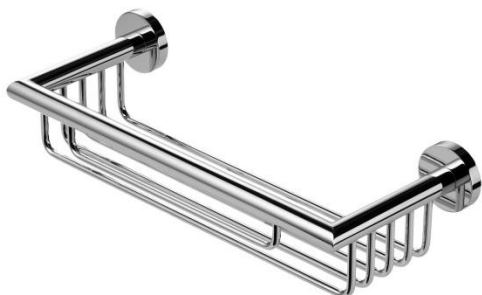
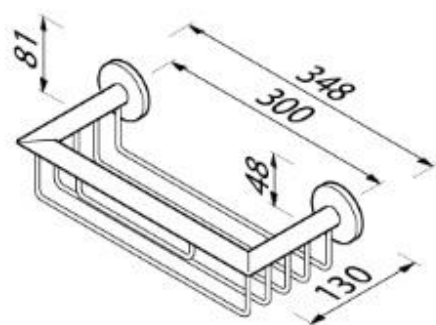

 **Nemox collection**

6514-02-30

Bottle/sponge holder



- Finish: chrome
- Concealed fixing
- Guarantee 12 years



- 300x130x48 mm

Quality has proven to be of decisive importance in recent years, which is why we can offer a 12-year warranty period for our chrome products. The entire selection is developed in Amersfoort. Geesa is certified according to the ISO 9001-2008 standard for design, productions and the delivery of bathroom accessories.
