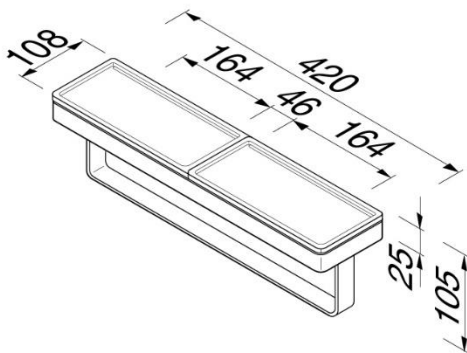


## Frame Collection

918853-02-420  
Towel rail with shelf



- Material: Brass
- Finish: Chrome plating
- White inlays with textured surface and draining slots
- Removable inlays with towel holder
- Concealed fixing
- Incl. mounting set



108x420x105 mm

Quality has proven to be of decisive importance, which is why we can offer a 12-year warranty period for our chrome products. The entire selection is developed in Amersfoort. Geesa is certified according to the ISO 9001-2008 standard for design, productions and the delivery of bathroom accessories. Geesa reserve the right to change product specification.

03/2019