

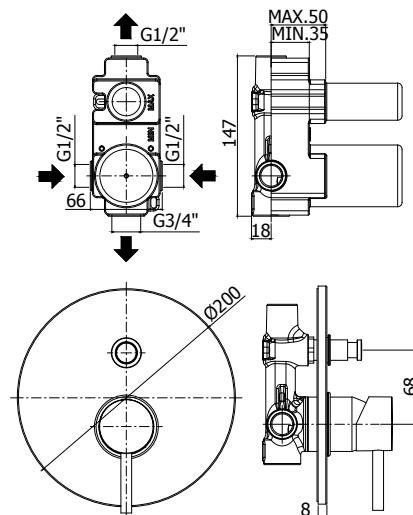
COLLECTION

# stick

## PRODUCT IMAGE



## TECHNICAL DRAWING



## DESCRIPTION

Concealed shower mixer (2 outlets) complete with:

- metal wall plate Ø200mm
- 1/2" G hot/cold and upper connections - 3/4" G lower connection

## ART.

**SK 015 . .**  
with push diverter

**ZPRO 014 . .**  
Extension for art. 015  
• H30mm

## FINISHES

**SK**  
CR - cromo  
ST - finitura steel looking

**ZPRO**  
CR - cromo  
ST - finitura steel looking

## DOCUMENTATION



FLOW DIAGRAM  
1



INSTALLATION  
INSTRUCTIONS



PRODUCT PAGE

[www.paffoni.it](http://www.paffoni.it)