

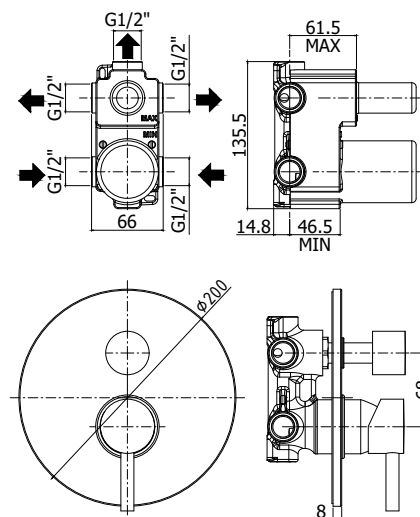
COLLECTION

# stick

## PRODUCT IMAGE



## TECHNICAL DRAWING



## DESCRIPTION

Concealed shower mixer (3 outlets) complete with:

- metal wall plate Ø200mm
- 1/2"G connections

## ART.

**SK 019 . .**  
with diverter cartridge (3 outlets + 3 combined positions)

**ZPRO 069 . .**  
Extension with diverter for artt. 018-019  
• H30mm

## FINISHES

**SK**  
CR - cromo  
ST - finitura steel looking

**ZPRO**  
CR - cromo  
ST - finitura steel looking

## DOCUMENTATION



FLOW DIAGRAM  
1



INSTALLATION  
INSTRUCTIONS



SPARE PARTS  
EXPLODED 1



PRODUCT PAGE

[www.paffoni.it](http://www.paffoni.it)