

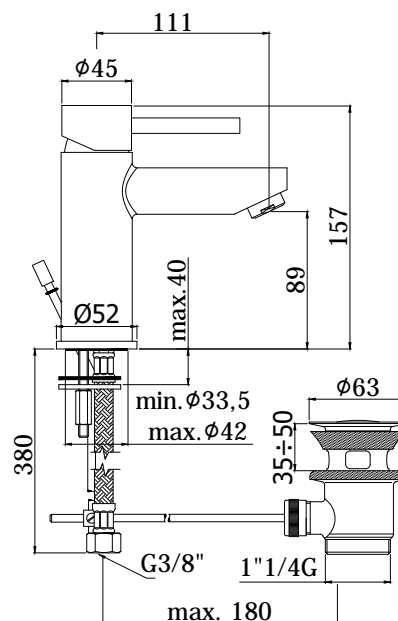
COLLECTION

# stick

## PRODUCT IMAGE



## TECHNICAL DRAWING



## DESCRIPTION

Wash basin mixer complete with:

- Energy & Water Saving cartridge
- aerator M24x1 with flow reducer
- set of 2 stainless steel hoses 3/8"G

## ART.

**SK 071H . . -EWS**  
without pop up waste

**SK 075H . . -EWS**  
with 1"1/4G pop up waste

## FINISHES

**SK**  
CR - cromo  
ST - finitura steel looking

## DOCUMENTATION



INSTALLATION  
INSTRUCTIONS

## TECHNOLOGIES



COLD  
START



Energy  
saving



Water saving



PRODUCT PAGE

[www.paffoni.it](http://www.paffoni.it)