



## HANDICAPPED TB410

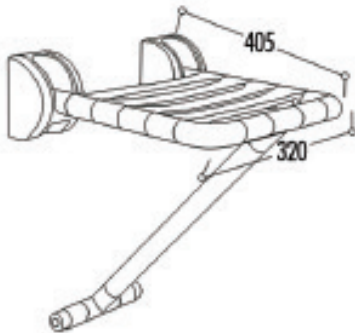
Folding Seat

TB410	Folding Seat
-------	--------------

Qty of Box:	4
-------------	---

Weight:	4,9 kg
---------	--------

### TECHNICAL DRAWING



### SPECIFICATIONS



Antibacterial  
Nylon Coating

Creavit keeps its rights of making any change to the products.



Quality  
Management  
Systems



Customer Satisfaction  
Certificate



Certificate  
Environmental  
Management  
System



Occupational Safety &  
Health Management  
System

**LGA**

Germany Accreditation  
Certificate

**kiwa**

Netherlands  
Accreditation Certificate

**GOST - R**

Russia Accreditation  
Certificate

**UkrSEPRO**

Ukraine Accreditation  
Certificate



Israel  
Accreditation  
Certificate



Nigeria Accreditation  
Certificate



European Accreditation  
Certificate



Turkish  
Accreditation  
Certificate