

Multi Odor Stop 2in1

Inner Sloped Deep Drain Body

INOX

- 1 Grid AISI 304
- 2 Leveling Feet
- 3 Hair Filter
- 4 Trap Cover
- 5 Dry Flaps
- 6 Odor Trap
- 7 O-Ring Watertight Gasket
- 8 Drain Body AISI 304
- 9 Height Adjustable Foot Set

2016/08966
PATENTED
2019/01057

GUARANTEE
10 YEAR
AISI304

Grids are produced in AISI 304 Stainless Steel, 10 Year guaranteed against corrosion and leakage.



YouTube
You can watch the installation video of this system on Youtube DuschelLine TV channel.

52 mm
LOW BUILT IN

42 L/min
HIGH FLOW RATE

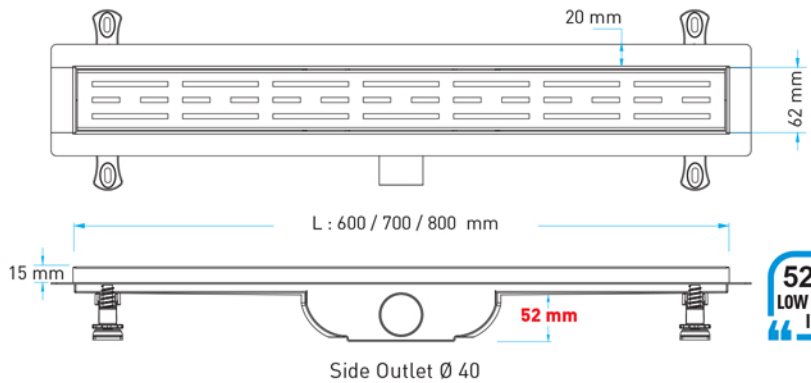
AISI 304
BODY

BRUSHED
304 AISI
GRID

300 kg
LOAD CAPACITY

EASY CLEAN

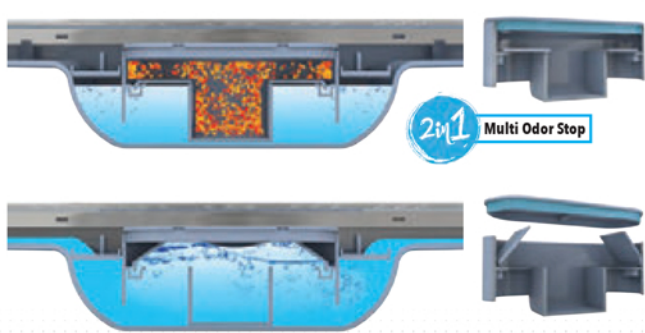
EASY MONTAGE



52 mm
LOW BUILT IN



TWIN FLAP ODOR TRAP



2in1 Multi Odor Stop



Ø40-Ø50 Connector

Waterproof Membrane