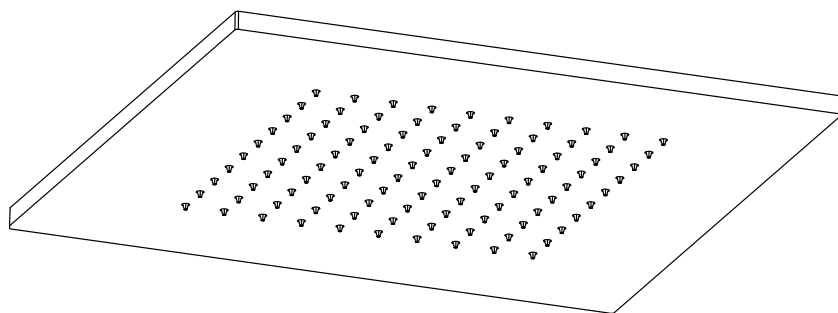
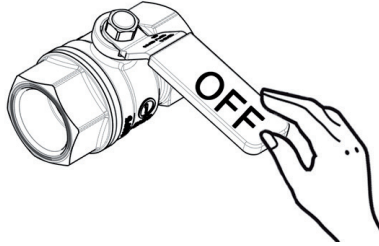


ZSOF

| | |
|---------------------|----------|
| 029 ARIZONA | 010 |
| 030 ISCHIA | 015 |
| 031 ALABAMA | 016 |
| 032 OREGON | 017 |
| 046 BELINDA | 018 |
| 075 SYNCRO | 034 |
| 077 BERRY | 035 |
| 074 MASTER | 038 |
| 078 SYNCRO KING | 061 |
| 079 MASTER KING | 062 |
| 080 BERRY KING | 063 |
| 081 NIRVANA | 063..350 |
| 082 TURBO | 064 |
| 091 CITY | 065 |
| 092 WIND | 073 |
| 093 BAHAMAS | 090 |
| 094 JAMAICA | 118 |
| 095 HAWAI | 119 |
| 096 ZANZIBAR | |
| 101 MASTER SPECIALE | |
| 102 BLANC | |
| 103 ENERGY | |
| 104 ORIGINAL | |
| 115 PANDA | |



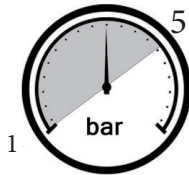
1



$65 \pm 5^{\circ}\text{C}$



$15 \pm 5^{\circ}\text{C}$

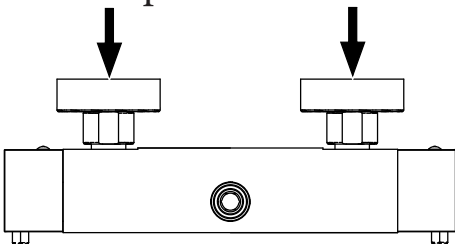


MIN - MAX



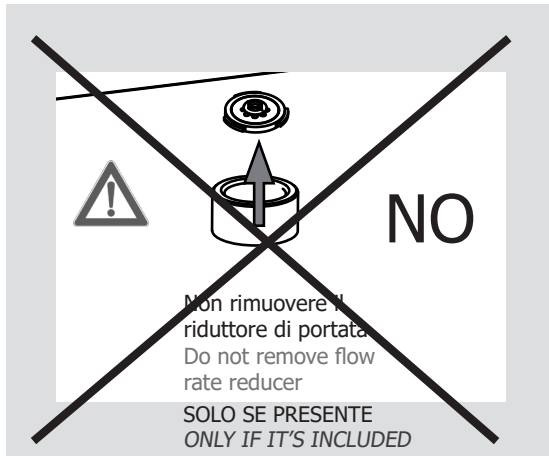
OK

Δp MAX 1bar

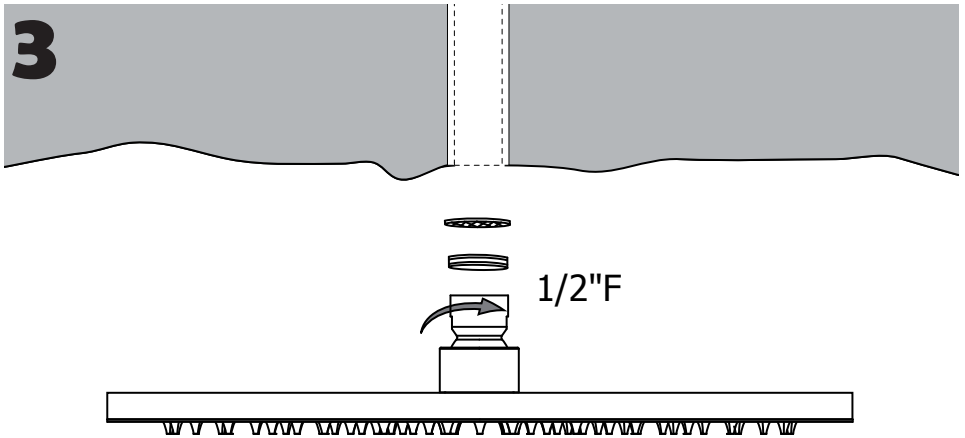


Δp : differenza pressione in entrata
different inlet water pressure

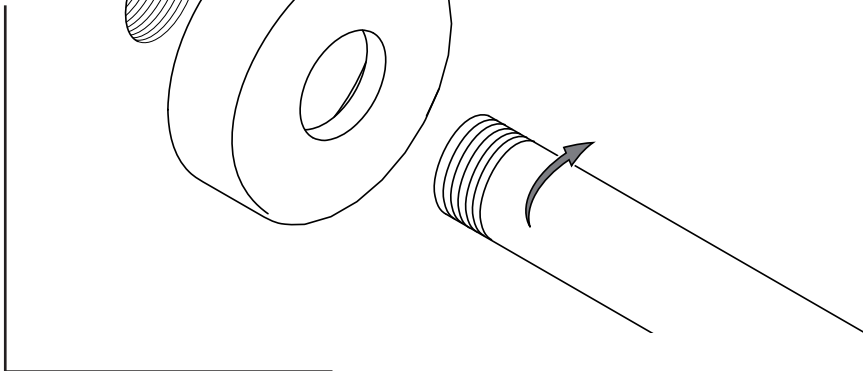
2

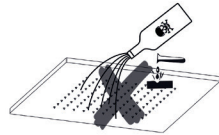
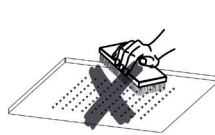
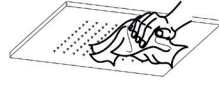
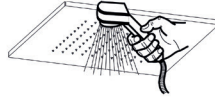
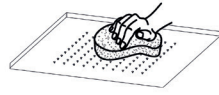
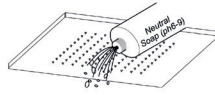


3



4





P Pulizia
Cleaning

