



This product should only be fitted by a qualified plumber. Should the installation be completed by a non-qualified person then the guarantee may be considered invalid.

WARRANTY

EURORAMA'S products are designed, manufactured and tested to the highest Standard. RUBINETTERIE EURORAMA SPA guarantees its own Products against Incidental Defects coming from Manufacturing or workmanship. The Guarantee is valid for all the Products listed in the Catalogues as per the below conditions:

5 Years on the Cartridge.

5 Years on the Ceramic Valves

2 Years for Parts involve Mechanical Movements

5 Years on Chromium Plated Finishing, provided that They are treated in a correct way as per our Maintenance Guide

2 Years for the other Finishing (Coloured, Gold, Bronze and so on...)

Should a complaint arise, the product must be given to our Merchant where it was bought along with a copy of proof of purchasing. The Faulty Material should be dispatched only through our Merchant, free our warehouse, to our Building Unit N° 3 (Roccapietra Via al Sesia 4 –13019 (VC) Italy). Should the defect is found by our Technical Department according to the Company Quality System EN ISO 9001 It will be replaced free of charge.

The Guarantee is not valid in case of:

- The Use of Chemical, Acid, limestone, not drinking water or in case of pipelines below zero and not filter Water.
- The Use on the surfaces of wire wool or scratchy cloth abrasive detergents, corrosive substances containing alcohol or acid.
- Damages or Defects arising from incorrect Installation, Improper Use, Lack of Maintenance, including build-up of Lime scale. Damages if the products is installed, taken apart, modified or misused by no competent Person
- Non-Fulfillment, or misused of the Instruction listed in the Installation and Maintenance Guide
- Damages caused by Transport or negligent Warehousing

NOTICE

Many household cleaners contain abrasives and chemical substances and they can seriously damage our products. So we suggest to clean them with a mild washing up detergent or soap solution and then wiped dry using a soft cloth.

The present Guarantee does not undermine the Rights as provided in the Law EEC Directive "1999/44/CE".

For any further information please contact Rubinetterie Eurorama on: +39 0163568911 or visit our website at www.eurorama.it

The manufacturer reserves the right to make technical modifications without prior notice.

© Copyright by Rubinetterie Eurorama spa - All right reserved

All products are manufactured in Italy by Rubinetterie Eurorama spa, using materials tested and approved under the Italian and International law.

WARNING

- Installation Performed By Qualified Personnel Only!
- Clean Carefully The Water Pipes Before Installing The Tap

If the above mentioned conditions are not observed, the product may not correctly work or not work at all. On receipt of this product the chrome finish must be checked for blemishes. Defects notified after fitting may be regarded as damage resulting from the installation process, incorrect maintenance or misuse and as a result not be claimable under the warranty.

Approvals

- Warning:**
1. Minimum pressure:1 Bar
 2. Recommended working pressure:3 Bar
 3. Maximum test pressure:5 Bar
 4. Maximum hot water temperature :80°C
 5. Maximum pressure difference:1,5 Bar
 5. We recommend installing filters to this product.

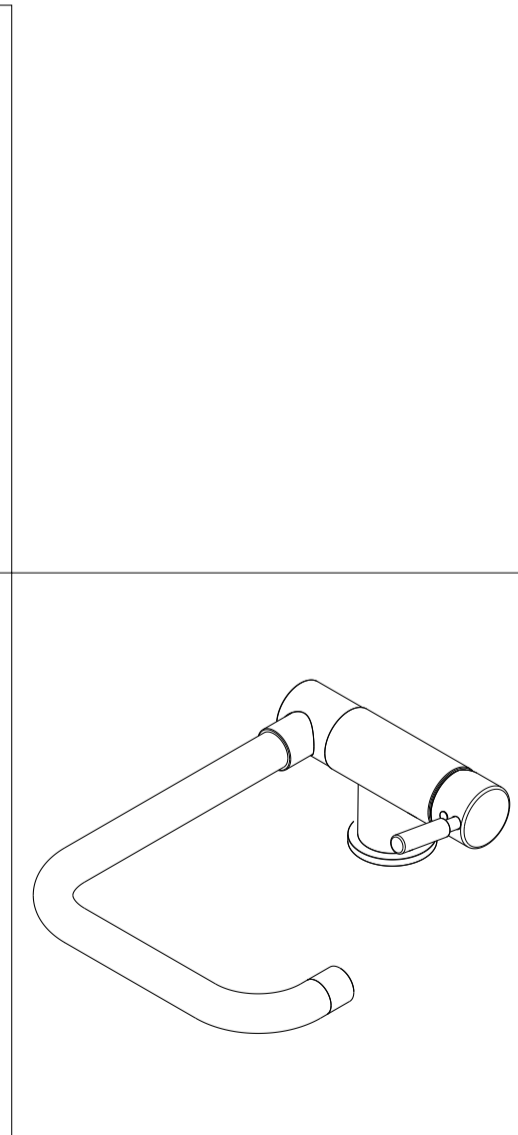
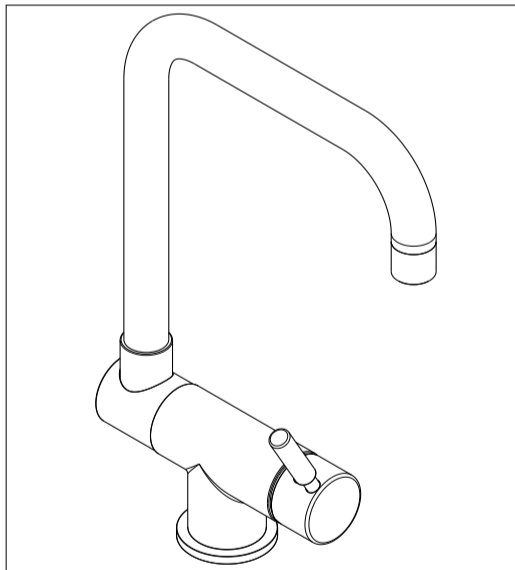
Standard specifications

The installation must comply with regulations of the Local Water Authority as contained in their bylaws. All of the taps in this range are double flow (the hot and cold water are separated) and should therefore be supplied with hot and cold water at balanced pressures, both from the tank or both from the mains (via a combination boiler for example). If the taps are not supplied at balanced pressures then the tap will not function correctly. It will also be necessary to fit non-return valves on both hot and cold feeds. It is very important that all pipe work is flushed thoroughly after installation to avoid damaging the ceramic disc of cartridge.

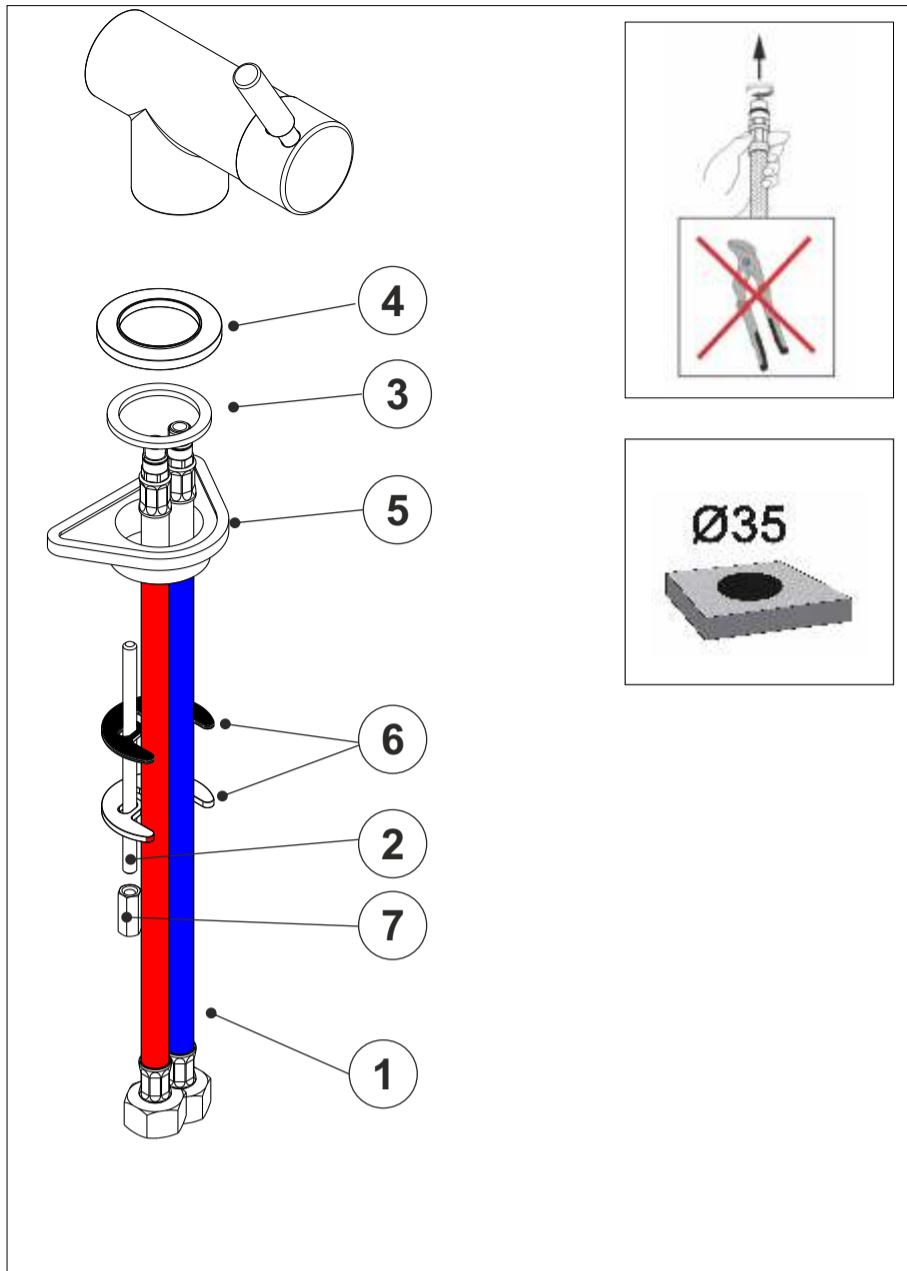
Please read these instructions carefully and keep in a safe place for future reference.

INTRODUCTION

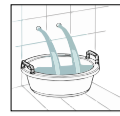
SINK MIXER, COLLAPSIBLE



INSTALLATION



INSTALLATION



First shut off your water heating system. Fitting isolating valves to the inlet feeds is recommended for ease of maintenance. Remember to turn off the mains water supply before connecting to any existing pipe work. Flush the piping with plenty of water prior to installation. This Operation and Maintenance Guide provides the correct installation instructions, correct use and maintenance of the Product. Our mixers are completely tested into the our factory, to guarantee reliability and endurance.

INSTALLATION

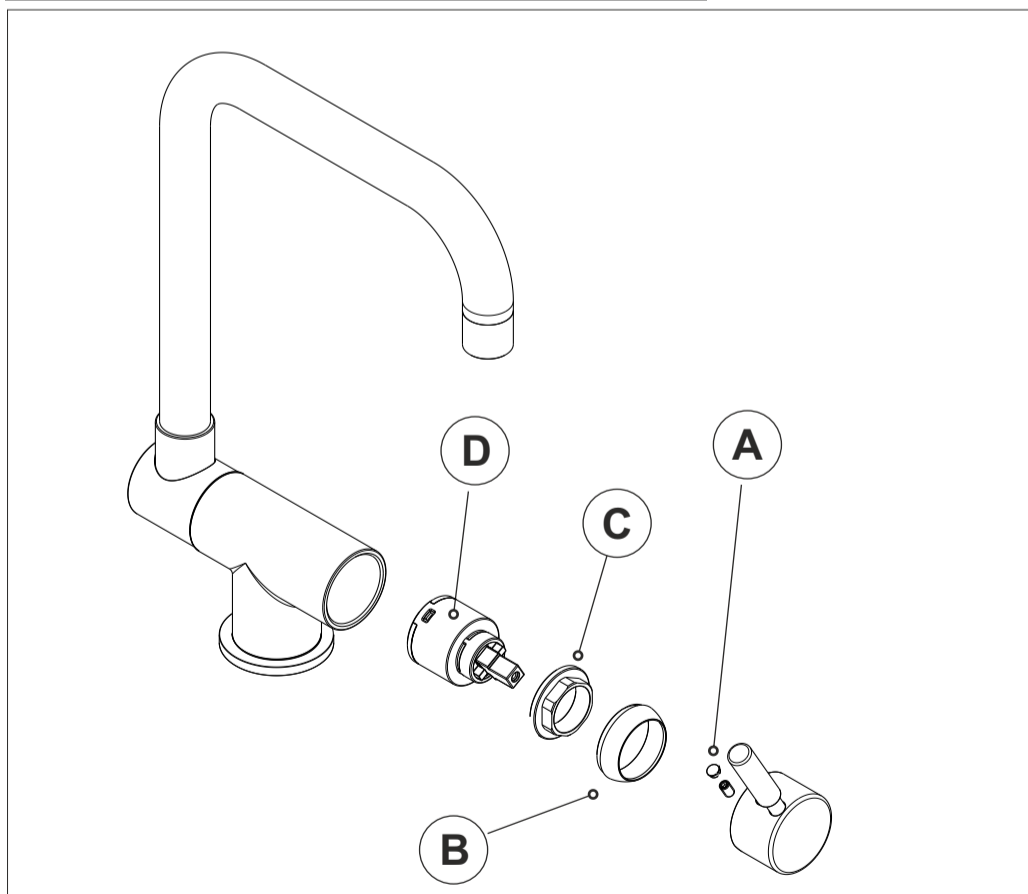
- Make sure that the drilling for the tap onto the sink is 35mm.
- Screw the flexi tails (1) under the base of the mixer body, taking care to tighten well. (Flexi tails must be tightened handmade not with tools).
- Screw the threaded rod (2), placing the gasket (3) and the chromed base (4) under the body mixer.
- Position the mixer onto the hole of the sink, making the flex tails passing through first.
- Working below the top, insert the specifically shaped gasket (5) and the flange (6) into the threaded rod (2), tighten the nut (7) having care to position correctly the mixer onto the basin.
- Connect finally the flexi tails (1) to the water system putting the small filters (not included) in between.

 DRILLING	 HOT WATER	 HOT WATER	 PRESSURE	 FILTER (Recommended)
STANDARD RECOMMENDATIONS TABLE				

4

5

MAINTENANCE



CLEANING - REPLACE THE CARTRIDGE

In the event of any problems, servicing is straight forward. First shut off the water supply to the tap. Pull out the cap (A) from the handle and with an allen key loosen the grub screw into the handle, but don't remove it. Take off the handle, unscrew the cartridge cover (B) and carefully using a correct size spanner unscrew the retaining nut (C), remove the cartridge (D). Wash the cartridge with clean running water and make sure that any trapped debris have been removed. Dry and lightly grease the seals (only use silicone grease) and replace the cartridge, retaining nut, Cartridge cover followed by the handle.



CAUTION: Retaining nut (C), must be screw with a tightening torque of 10,5/11Nm, in case of incorrect tighten, the mixer can be damaged.

6

7

AERATOR MAINTENANCE

All the taps are fitted with an aerator. In case the water supply is not fluid, remove the aerator and clean.

Unscrew the nozzle from the spout mixer, taking care not to loose the washer. Wash the nozzle with clean running water and make sure that any trapped debris have been removed. To loose limestone we suggest to plunge in vinegar the nozzle. Insert the washer, and screw the nozzle, tighten well.

CLEANING



The chrome plate we use on our taps is very durable, nevertheless care should be taken when cleaning them. They should be cleaned only with warm soapy water followed by rinsing with clean water and drying with a soft cloth. All finishes are vulnerable to acid attack and some strong substances such as household cleaners, disinfectants, denture cleaners, hair dyes, wine making and photographic chemicals can cause the surface to go black or peel.

