

First shut off your heating system then, with your mains stop cock closed, open the Lowest hot and cold taps in the house and allow to run until the cold storage tank and pipes are empty (the hot water storage cylinder airways remains full). Where combination boilers are fitted it is only necessary to turn off the boiler and shut off the incoming mains. Fitting isolating valves to the inlet feeds is recommended for ease of maintenance.

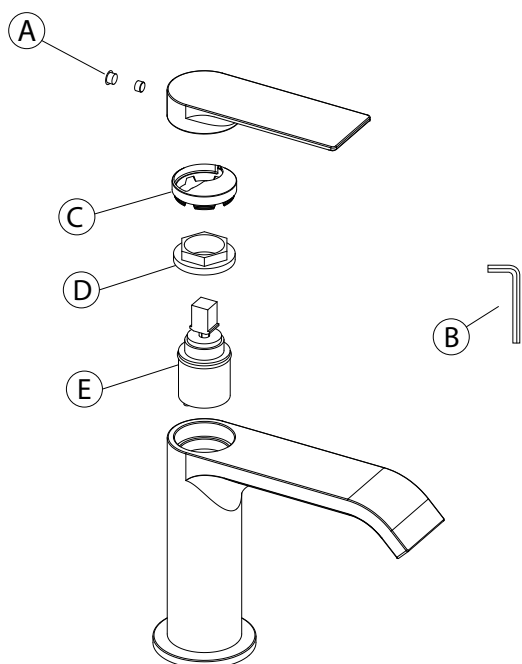


Remember to turn off the mains water supply before connecting to any existing pipe work. Flush the piping with plenty of water prior to installation.

- Firstly Verify that your basin is provided with a standard hole according to UNI EN 31 law (35mm +2/-1).
- Screw up the two flex tails (1) to the mixer body, taking care to tighten well.
- Screw the threaded screws (2) into the body mixer, insert the o’ring (3) under the base of the mixer.
- Then, insert the mixer in the hole from above the basin, making the flex tails passing through first.
- Working below the basin, insert the specifically shaped rubber gasket (4) and the metallic insert (5) in the threaded screws (2).
- Tighten the nut (6) on the threaded fitting (2) taking care to correctly position the mixer onto the basin.
- Connect the flex tails (1) at the filters (supplied) and to the water system.



148309BAK

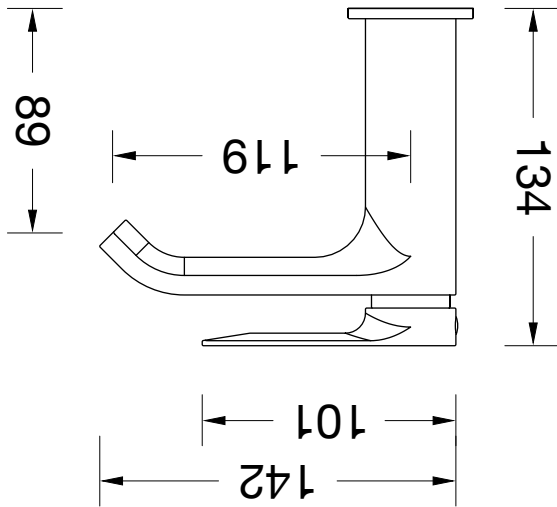


The chrome plate we use on our taps is very durable, nevertheless care should be taken when cleaning them. They should be cleaned only with warm soapy water followed by rinsing with clean water and drying with a soft cloth. All finishes are vulnerable to acid attack and some strong substances such as household cleaners, disinfectants, denture cleaners, hair dyes, wine making and photographic chemicals can cause the surface to go black or peel.

CLEANING THE CARTRIDGE

The concealed cartridge should give trouble free service, but in the water supply to the tap. Pull out the cap (A) from the handle and with an allen key (B) loosen the grub screw in the handle, but do not remove it. Take off the handle, unscrew the cartridge cover (C) and carefully using a correct size spanner unscrew the retaining nut (D) and remove the cartridge (E). Wash the cartridge with clean running water and make sure that any trapped debris have been removed. Dry and lightly grease the seals (only use silicone grease) and replace the cartridge, retaining nut, cartridge cover followed by the handle.





148309BAK

DIMENSIONS

WARRANTY

EURORAMA'S products are designed, manufactured and tested to the highest International Standard. Rubinetteria EURORAMA Company guarantees its own products against incidental defects coming from manufacturing or workmanships.

The Guarantee is valid for all the Products listed in the Catalogues as per the below conditions:

- 5 Years on the Cartridge
- 5 Years on the Ceramic head valves
- 2 Years for parts involve Mechanical Movements
- 5 Years on Chromium Plate Finishing, provided that they are treated in a correct way
- 2 Years for the other finishing (coloured, gold, bronze and so on...)

Should a complaint arise, the product must be given to our Merchant where it was bought along with a copy of proof of purchasing. The Faulty Material should be dispatched only through our Merchant, free our warehouse, to our Building Unit N°3 (Via al sesia, 4 Fr. Roccapietra 13019 VARALLO (VC) ITALY). Should the defect be found by our Technical Department according to the Company Quality System UNI EN ISO 9001, it will be replaced free of charge.

The Guarantee is not valid in case of:

- 1. use of chemical, acid, limestone, not drinking water or in case of pipelines below zero and not filter Water.
- 2. use on the surfaces of wire wool or scratchy cloth abrasive detergents, corrosive substances containing alcohol or acid.
- 3. damages or defects arising from incorrect Installation, Improper use, lack of maintenance, including build-up of lime scale; damages if the products is installed, taken apart, modified or misused by no competent persons.
- 4. non-fulfilment, or misused of the Instruction listed in the Installation and Maintenance Guide
- 5. damages Caused by trasport or negligent warehousing

NOTICE

Many household cleaners contain abrasives and chemical substances ant They can seriously damage our Products.

So We suggest to clean them with a mild washing up detergent or soap solution and then wiped dry using a soft cloth.

The present Guarantee does not undermine the Rights as provided in the IT Law "d.lgs 02/02/02 n. 24" accomplishment EEC Directive "1999/44/CE".

RUBINETTERIE EURORAMA'S LIABILITY WILL NOT EXCEED THE CONTRACT PRICE FOR THE PRODUCT CLAIMED TO BE DEFECTIVE OR UNSUITABLE. THIS WARRANTY IS LIMITED SOLELY TO THE ABOVE AND THIS WARRANTY AND ANY WARRATIES IMPLIED BY STATE LAW WILL APPLY ONLY FOR THE APPLICABLE WARRANTY PERIOD SPECIFIED HEREIN.

PLEASE ALWAYS KEEP THE PROOF OF PURCHASING, IN ORDER TO OBTAIN THE RIGHT TO GUARANTEE SERVICE.



-Clean Carefully the water Pipes Before Installing The Tap.
-Installation Performed By Qualified Personnel Only!

WARNING

turn the boiler off and non return valves are not required.
combination boilers are fitted it is only necessary to shut off the incoming mains and hot and cold pipes as close as possible to the tap, These are not supplied. Where supplied from a tank and cold from the mains, non return valves are fitted on both These taps are double flow. Water bylaw require that where the hot water is supplied from a tank and cold from the mains, non return valves are fitted on both

Preparation and bylaw requirements

applicable.
Bylaws Scheme and comply with requirements of British Standard 5412:1996 where All product are manufactured using materials tested and approved under the Water

Approvals

claimable under the warranty.
Installation process, incorrect maintenance or misuse and as a result not be Defects notified after fitting may be regarded as damage resulting from the - on receipt of this product the chrome finish must be checked for blemishes. product may not correctly work or not work at all.
if the above mentioned conditions (see points 1,2,3,4) are not observed, the

- 1. Recommended working pressure:.....1 Bar
- 2. Maximum test pressure:.....5 Bar
- 3. Maximum hot water temperature:.....80° C
- 4. We recommend installing filters to this product.
- 5. Warning:

Standard specifications

The installation must comply with regulations of the Local Water Authority as contained in their bylaws. All of the taps in this range are double flow (the hot and cold water are separated) and should therefore be supplied with hot and cold water at balanced pressures, both from the tank or both from the mains (via a combination boiler for example). If the taps are not supplied at balanced pressures then the tap will not function correctly, It will also be necessary to fit non-return valves on both hot and cold feeds. It is very important that all pipe work is flushed thoroughly after installation to avoid damaging the ceramic disc.

General Installation Requirements

reference.
Please read these instructions carefully and keep in a safe place for future

INTRODUCTION

WASHBASIN MIXER

148309BAK

