

**WARNING**  
- Installation Performed By Qualified Personnel Only!  
- Clean Carefully The Water Pipes Before Installing The Tap

All products are manufactured in Italy by Rubinetterie Eurorama spa, using materials tested and approved under the Italian and International law.

#### Approvals

If the above mentioned conditions are not observed, the product may not correctly work or not work at all.  
On receipt of this product the chrome finish must be checked for blemishes. Defects notified after fitting may be regarded as damage resulting from the installation process, incorrect maintenance or misuse and as a result not be claimable under the warranty.

Warning:

1. Minimum pressure: ..... 1 Bar
2. Recommended working pressure: ..... 3 Bar
3. Maximum test pressure: ..... 5 Bar
4. Maximum hot water temperature : ..... 80°C
5. Maximum pressure difference: ..... 1,5 Bar
5. We recommend installing filters to this product.

#### Standard specifications

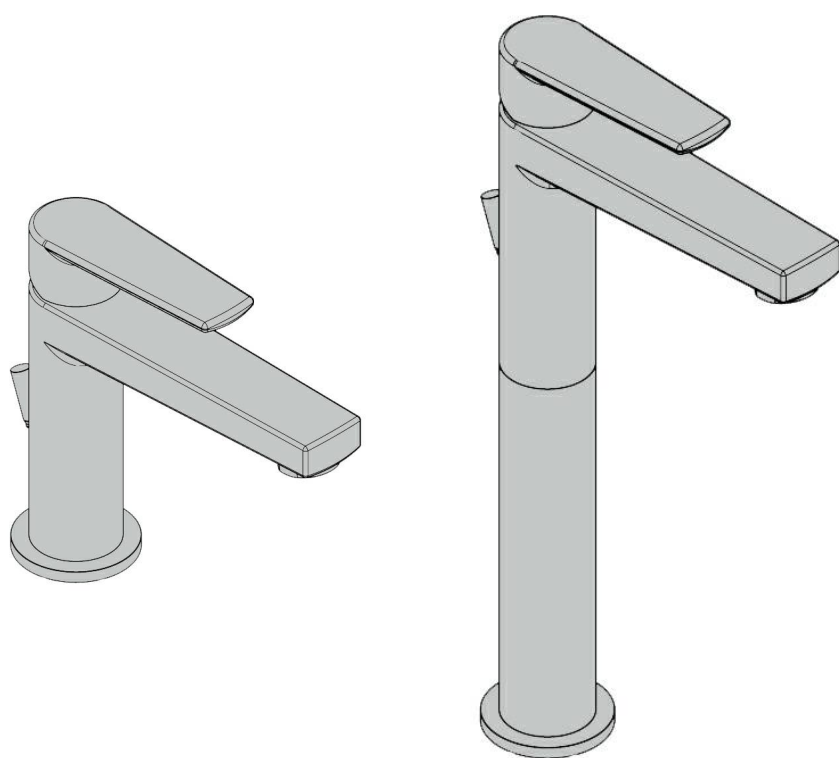
The installation must comply with regulations of the Local Water Authority as contained in their bylaws. All of the taps in this range are double flow (the hot and cold water are separated) and should therefore be supplied with hot and cold water at balanced pressures, both from the tank or both from the mains (via a combination boiler for example). If the taps are not supplied at balanced pressures then the tap will not function correctly. It will also be necessary to fit non-return valves on both hot and cold feeds. It is very important that all pipe work is flushed thoroughly after installation to avoid damaging the ceramic disc of cartridge.

#### General Installation Requirements

**Please read these instructions carefully and keep in a safe place for future reference.**

## INTRODUCTION

## INSTRUCTIONS



## WASHBASIN/BIDET MIXER

## TALL WASHBASIN MIXER

Note: dimension in millimentri

This product should only be fitted by a qualified plumber. Should the installation be completed by a non-qualified person then the guarantee may be considered invalid.

## WARRANTY

EURORAMA - ARTDESIGN products are designed, manufactured and tested to the highest Standard. EURORAMA Company guarantees its own Products against Incidental Defects coming from Manufacturing or Workmanship. The Guarantee is valid for all the Products listed in the Catalogues as per the below conditions:

**5 Years on the Cartridge.**

**5 Years on the Ceramic Valves**

**2 Years for Parts involve Mechanical Movements**

**5 Years on Chromium Plated Finishing, provided that They are treated in a correct way as per our Maintenance Guide**

**2 Years for the other Finishing ( Coloured, Gold, Bronze and so on...)**

Should a complaint arise, the product must be given to our Merchant where it was bought along with a copy of proof of purchasing. The Faulty Material should be dispatched only through our Merchant, free our warehouse, to our Building Unit N° 3 (Roccapietra, Via al Sesia 4 . 13019 (VC) Italy). Should the defect is found by our Technical Department according to the Company Quality System EN ISO 9001 It will be replaced free of charge.

The Guarantee is not valid in case of:

~ The Use of Chemical, Acid, limestone, not drinking water or in case of pipelines below zero and not filter Water.

~ The Use on the surfaces of wire wool or scratchy cloth abrasive detergents, corrosive substances containing alcohol or acid.

~ Damages or Defects arising from incorrect Installation, Improper Use, Lack of Maintenance, including build-up of Lime scale. Damages if the products is installed, taken apart, modified or misused by no competent Person

~ Non-Fulfilment, or misused of the Instruction listed in the Installation and Maintenance Guide

~ Damages caused by Transport or negligent Warehousing

#### NOTICE

Many Household Cleaners contain abrasives and chemical substances ant They can seriously damage our Products. So We suggest to clean them with a mild washing up detergent or soap solution and then wiped dry using a soft cloth.

The present Guarantee does not undermine the Rights as provided in the Law EEC Directive 99/44/CE+

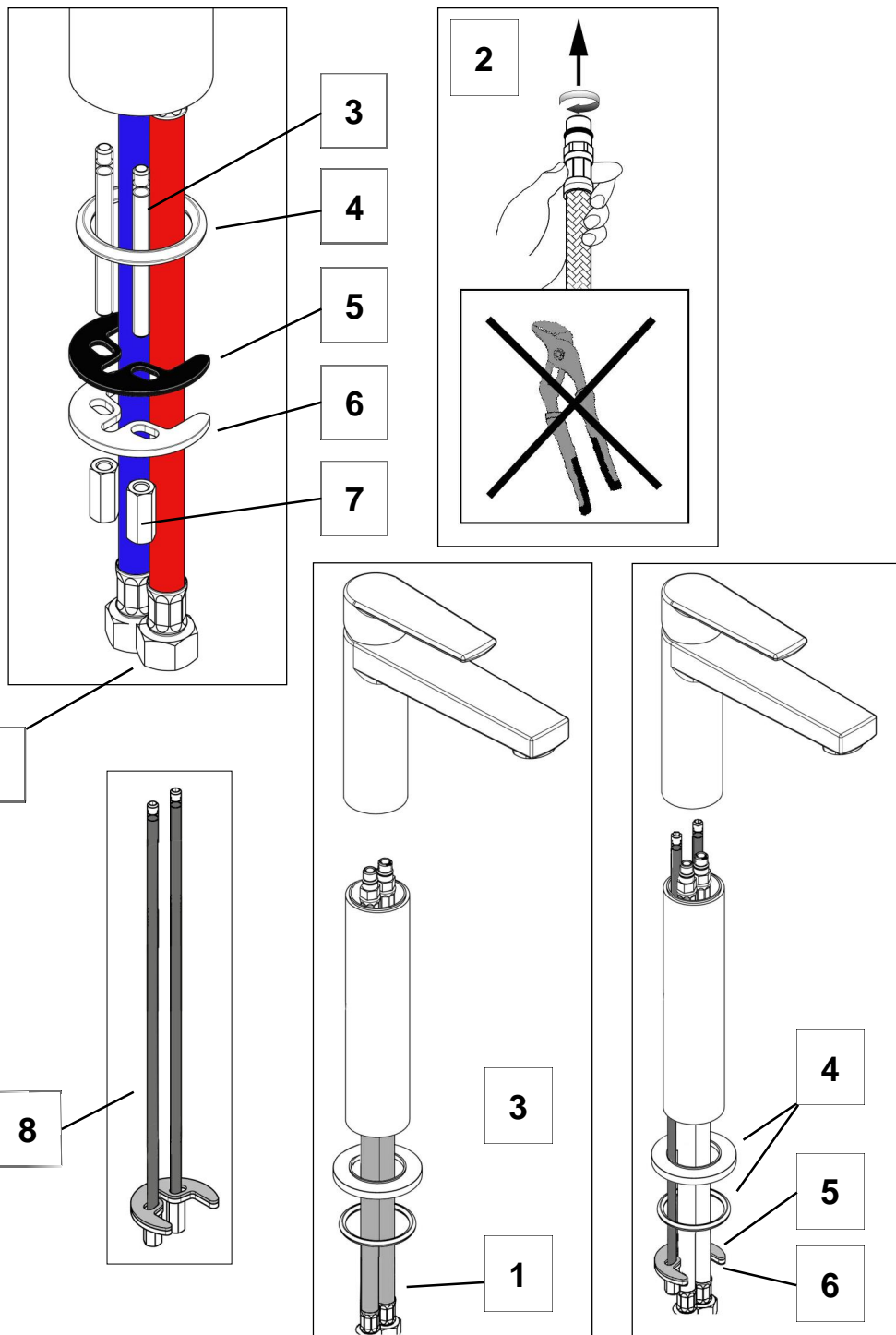
For any further information please contact Rubinetterie Eurorama on: +39 0163568911

Or visit our web-site at [www.eurorama.it](http://www.eurorama.it) - [www.artdesignweb.it](http://www.artdesignweb.it)

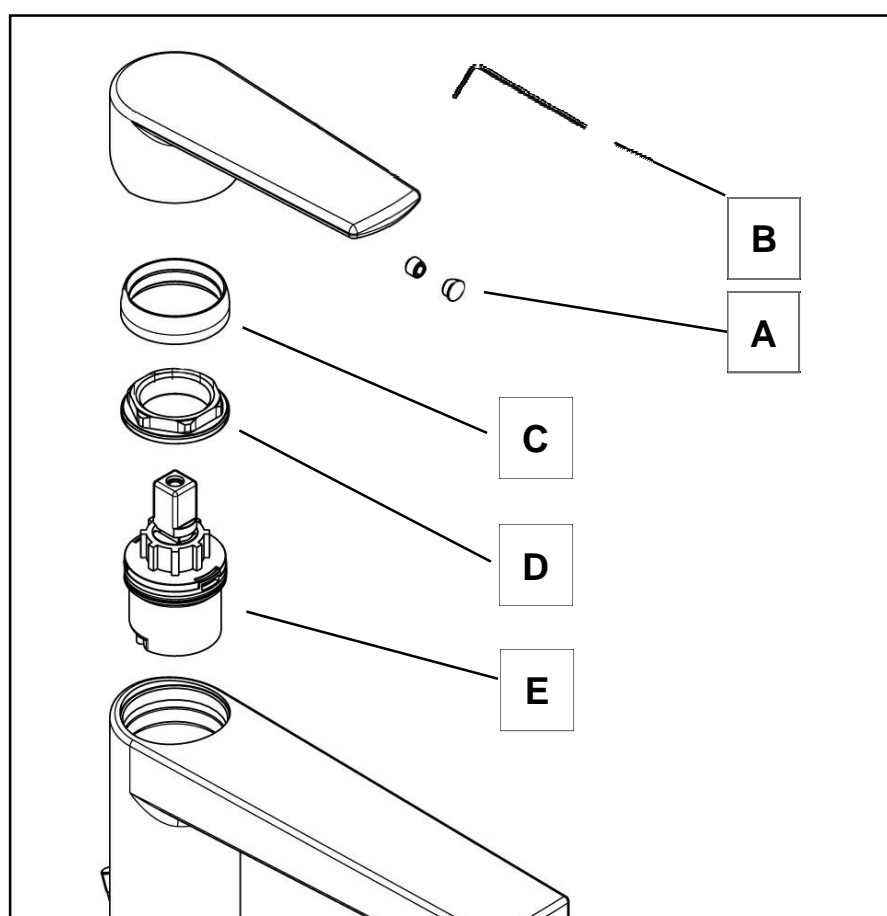
The manufacturer reserves the right to make technical modifications without prior notice.

© by Rubinetterie Eurorama spa - All rights reserved

## INSTALLATION



## MAINTENANCE



### CLEANING - REPLACE CARTRIDGE

In the event of any problems, servicing is straight forward.

First shut off the water supply to the tap. Pull out the cap (A) from the handle and with an allen key 2mm (B) loosen the grub screw in handle, but do not remove it. Take off the handle, unscrew the cartridge cover (C) and carefully using a correct size spanner unscrew the retaining nut (D) and remove the cartridge (E). Wash the cartridge with clean running water and make sure that any trapped debris have been removed. Dry and lightly grease the seals (only use silicone grease) and replace the cartridge, retaining nut, cartridge cover followed by the handle.

ATTENTION: the retaining nut (D), must be screw with a torque of 10/11Nm, in case of incorrect tighten, the mixer can be damaged.

## INSTALLATION

First shut off your water heating system then, with you remains stop cock closed, open the Lowest hot and cold taps in the house and allow to run until the cold storage tank and pipes are empty (the hot water storage cylinder airways remains full).

Where combination boilers are fitted it is only necessary to turn off the boiler and shut off the incoming mains.

Fitting isolating valves to the inlet feeds is recommended for ease of maintenance.



Remember to turn off the mains water supply before connecting to any existing pipe work. Flush the piping with plenty of water prior to installation.

### MIXERS INSTALLATION

Firstly Verify that your basin is provided with a standard hole according to UNI EN 31 law (35mm).

A) Screw up the two flexible hoses (1) to the mixer body. The flexible hoses shall be installed under the body of the mixer, it must be tightened handmade (2), not with tools.

B) Screw the threaded screws (3) into the body mixer, insert the seal (4) under the base of the mixer. Then, insert the mixer in the hole from above the basin, making the flexible hoses passing through first.

C) Working below the basin, insert the specifically shaped rubber gasket (5) and the metallic insert (6) in the threaded screws (3). Tighten the nuts (7) on the threaded fittings (3), having care to position correctly the mixer onto the basin.

Connect the flex tails (1) at the filters (not supplied) and to the water system.

### TALL MIXERS INSTALLATION

D) Screw up the two flex tails (1) to the mixer body, The flexible hoses shall be installed under the body of the mixer, it must be tightened handmade (2), not with tools.

E) Screw the threaded screws (8) into the body mixer, insert base and gasket (4) under the body of the mixer. Then, insert the mixer in the hole from above the basin, making the flex tails passing through first.

F) Working below the basin, insert the specifically shaped rubber gasket (5) and the metallic insert (6) in the threaded screws (8). Tighten the nuts (7) on the threaded fittings (8) having care to position correctly the mixer onto the basin.

Connect the flex tails (1) at the filters (not supplied) and to the water system.

## CLEANING

The chrome plate we use on our taps is very durable, nevertheless care should be taken when cleaning them. They should be cleaned only with warm soapy water followed by rinsing with clean water and drying with a soft cloth. All finishes are vulnerable to acid attack and some strong substances such as household cleaners, disinfectants, denture cleaners, hair dyes, wine making and photographic chemicals can cause the surface to go black or peel.

For perfect clean of chromed surface of our taps, we suggest %BRILLINO+, a special anti-scale liquid, developed to solve these problems. Please request it in the point of sale.

